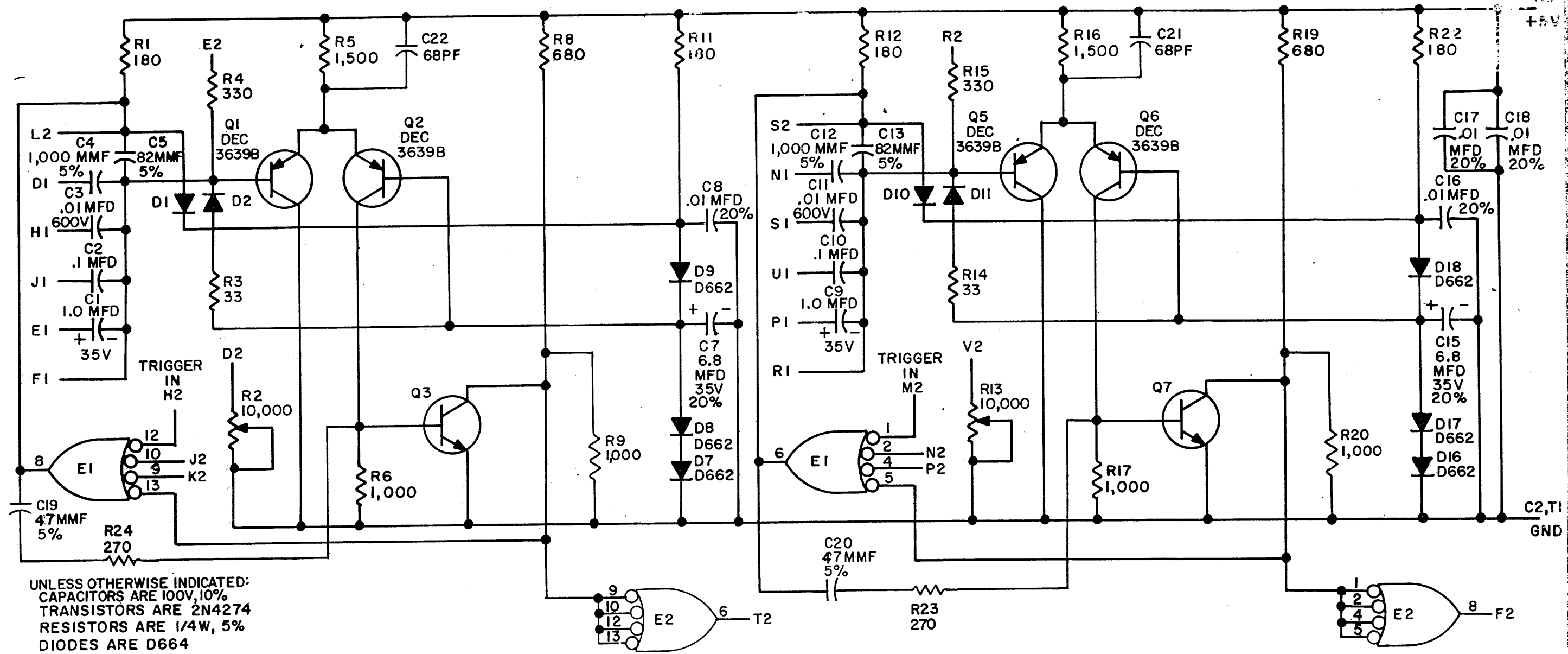


THIS SCHEMATIC IS FURNISHED ONLY FOR TEST AND MAINTENANCE PURPOSES. THE CIRCUITS ARE PROPRIETARY IN NATURE AND SHOULD BE TREATED ACCORDINGLY. COPYRIGHT 1967 BY DIGITAL EQUIPMENT CORPORATION



UNLESS OTHERWISE INDICATED:
 CAPACITORS ARE 100V, 10%
 TRANSISTORS ARE 2N4274
 RESISTORS ARE 1/4W, 5%
 DIODES ARE D664
 C3 & C11 ARE MYLAR
 E1 IS DEC74H40N
 PIN 7 ONIC'S = GND
 PIN 14 ONIC'S = +5V
 R2 & R13 ARE HELITRIM POT #78PR
 1.0MFD CAPACITORS ARE TANTALUM
 E2 IS DEC7413N

PARTS LIST A-PL-M302-0-0

REVISIONS	CHK	CHG NO.	REV.	B	C	D	E	F	H	J	K	L
	6507											
	6719											
	6881											
	7077											
	00001											
	00002											
	00003											
	00004											

DRN. <i>M. Haller</i>	DATE 6-15-67
CHK'D <i>[Signature]</i>	DATE 6/21/67
ENG. <i>L. White</i>	DATE 6/21/67
PROD. 1	DATE

TRANSISTOR & DIODE CONVERSION CHART			
DEC	EIA	DEC	EIA
2N4274	SAME		
DEC3639B	2N3639		
D662	IN645		
D664	IN3606		

digital
 EQUIPMENT CORPORATION
 MAYNARD, MASSACHUSETTS

TITLE ONE SHOT DELAY M302			
SIZE B	CODE CS	NUMBER M302-0-1	REV. L
PRINTED CIRCUIT REV. L			